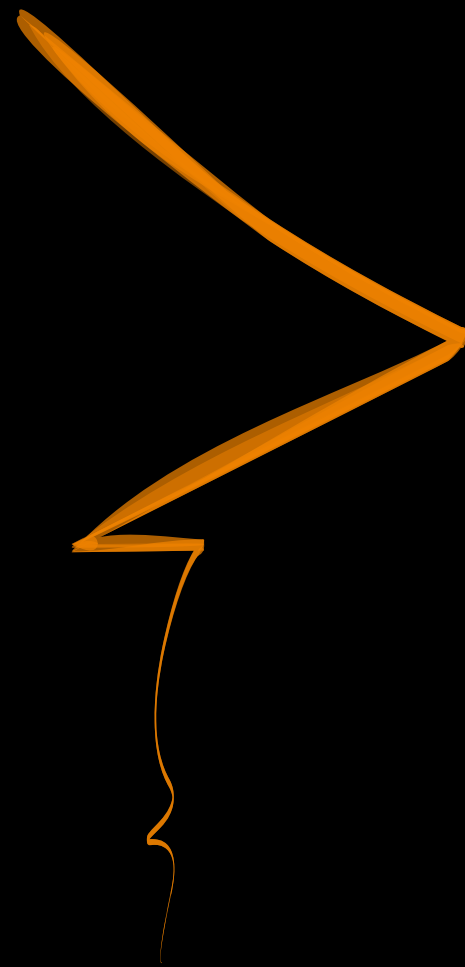


HORLITE[®]
... Lighting



宁波鸿睿照明科技有限公司

NINGBO HONGRUI LIGHTING TECHNOLOGY CO., LTD.

Add: No. 328 Changyuan Road, Yuyao City, Ningbo, Zhejiang, China

Mr. He (G.M) 0086-15924368758

E-mail: austinhe@horlite.com | sales@horlite.com

Website: www.horlite.com

HORLITE[®]
... Lighting



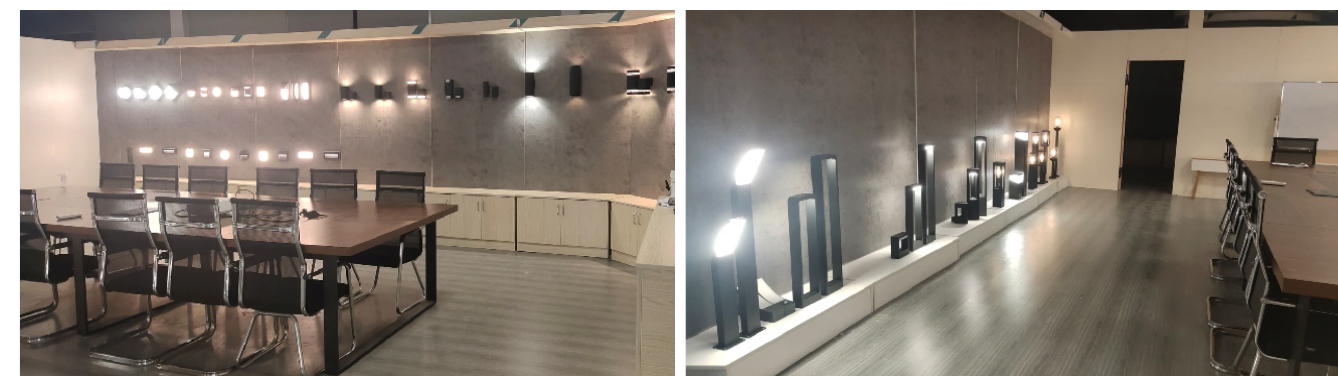
2023
LUMINAIRES



ABOUT US



Ningbo Hongrui Lighting Technology Co., Ltd., founded in 2014, located in Yuyao, Ningbo, is professional engaged in outdoor lights, LED indoor & outdoor lamps, LED garden lights & lawn lights, LED wall lamps, lamp connectors, lamp holders, etc ...



which are widely used in commercial lighting at home & abroad. Also our company system & our products have already passed UL, CE, RoHS, 7P certification, (as well as ETL, cUL now on process by the year 2017~2018) due to we have perfect software and hardware supports below:

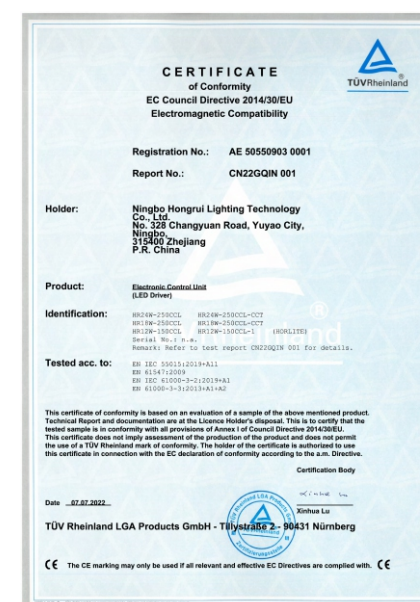
1. Our hardware support: advanced precision mold processing capacity, production equipments, testing equipments etc.

2. Our software support: our high quality innovative professional technical team & sales management team.

We have already adopted advanced ERP data control system for all our production process, forming the core competitiveness of "Quality first, attention to talent & efficient service".



Compliant the latest standards



Wall Lamp



60/page



64/page



66/page



68/page

Garden Light



70/page



70/page



70/page



70/page



70/page



16/page



18/page



20/page



22/page



24/page



26/page



28/page



28/page

Pendant Light



22/page



24/page



26/page



30/page



34/page



36/page



38/page



28/page



30/page



32/page



32/page



32/page



34/page



36/page



38/page



40/page



42/page



44/page



46/page



48/page



50/page



60/page



60/page



60/page



62/page



64/page



66/page

color available



Black



Dark Grey



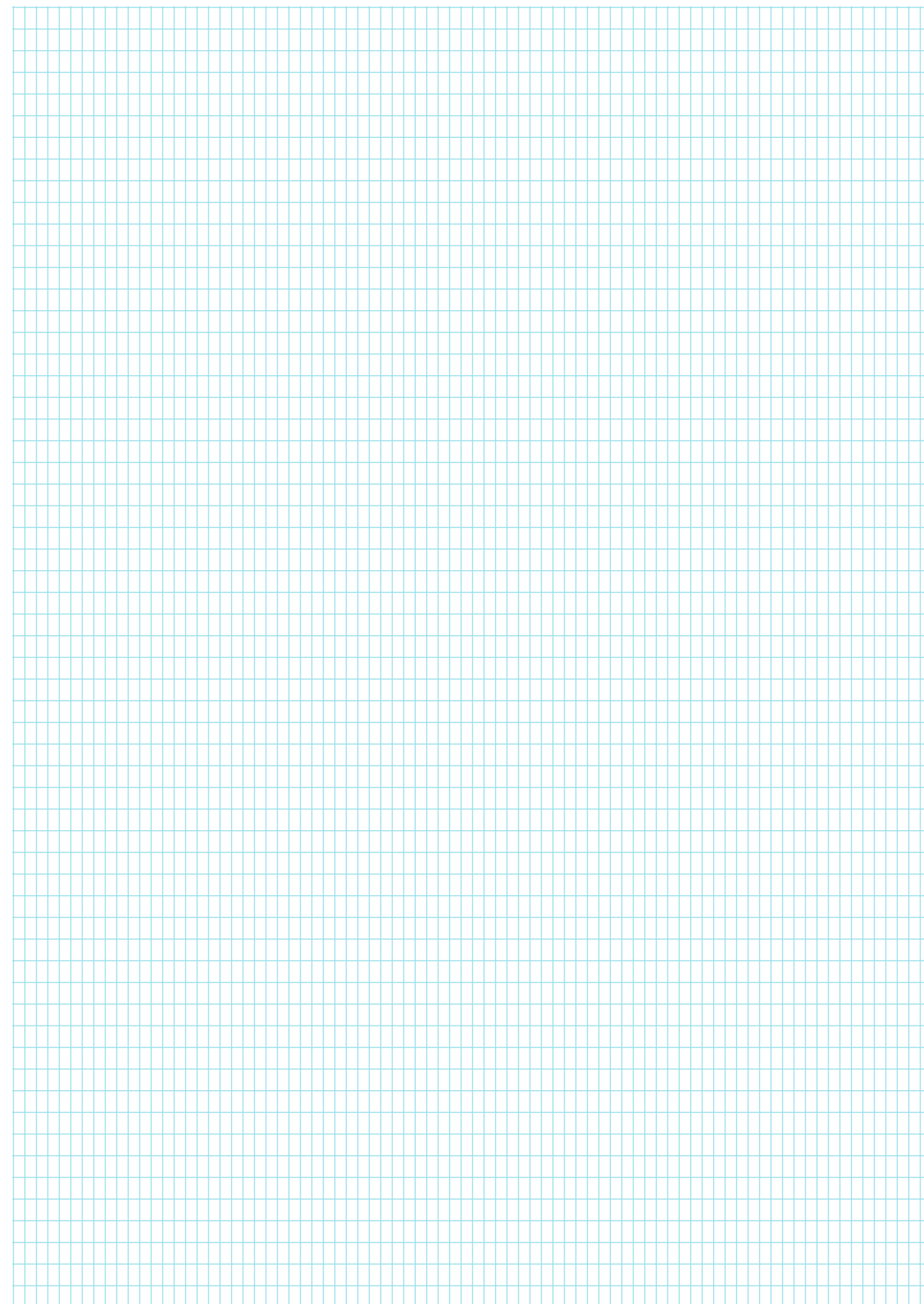
White



Grey



wood



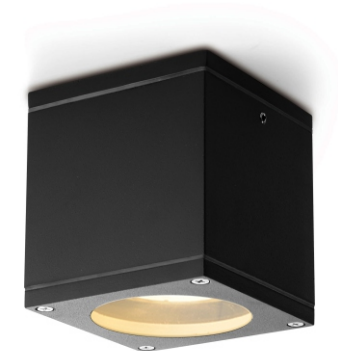


Technology Data

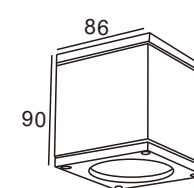
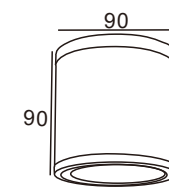
- ⊗ GU10 Bulbs Max.7W
- ⊗ Body in Alum.
- ⊗ Diffuser in Clear Glass.



HR10201



HR10202



Item.No.	Watts	Light Source	Input	Safety type
HR10201	Max.7W	Gu10 bulbs	220-240V~50Hz	IP65 CLASS II
HR10202	Max.7W	Gu10 bulbs	220-240V~50Hz	IP65 CLASS II



Technology Data

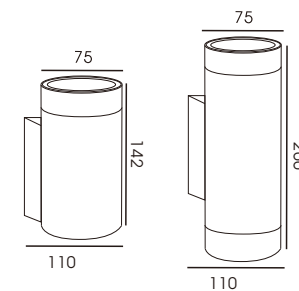
- ⊗ GU10 Bulbs Max.7W
- ⊗ Body in Alum.
- ⊗ Diffuser in Frosted PC.



HR60275



HR60276



Item.No.	Watts	Light Source	Input	Safety type
HR60275	Max.7W	Gu10 bulbs	220-240V~50Hz	IP54 CLASS I
HR60276	Max.7W	Gu10 bulbs	220-240V~50Hz	IP54 CLASS I



Technology Data

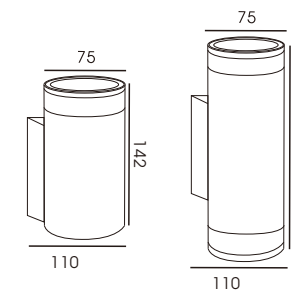
- ⊗ GU10 Bulbs Max.7W
- ⊗ Body in Alum.
- ⊗ Diffuser in Frosted PC.



HR60277



HR60278



Item.No.	Watts	Light Source	Input	Safety type
HR60277	Max.7W	Gu10 bulbs	220-240V~50Hz	IP54 CLASS I
HR60278	Max.7W	Gu10 bulbs	220-240V~50Hz	IP54 CLASS I



Technology Data

- ⊗ LED Lamp
- ⊗ Body in Alum.
- ⊗ Diffuser in Frosted PC.

3000K-4000K-6000K



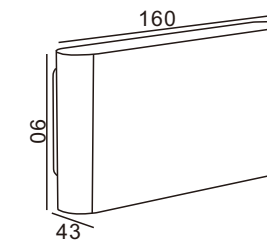
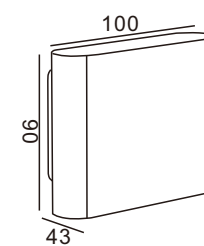
select CCT
via. Dip Switch



HR60741



HR60743



Item.No.	Watts	3000K	4000K	6000K	CRI	Input	Safety type
HR60741	6W	490lm	500lm	500lm	80	220-240V~50Hz	IP65 CLASS II
HR60743	11W	790lm	800lm	800lm	80	220-240V~50Hz	IP65 CLASS II



Technology Data

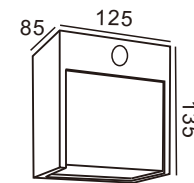
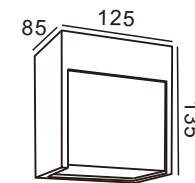
- ⊗ LED Lamp
- ⊗ Body in Alum.
- ⊗ Diffuser in Opaline PP.



HR60421



HR60421-S



Item.No.	Watts	Lumens	Kelvin	CRI	Input	Safety type
HR60421	12W	480lm	3000K	80	220-240V~50Hz	IP44 CLASS II
HR60421-S	12W	480lm	3000K	80	220-240V~50Hz	IP44 CLASS II



Technology Data-G9 VERSION

- ⊗ G9 Bulbs Max.4W
- ⊗ Body in Alum.
- ⊗ Diffuser in Clear Glass.

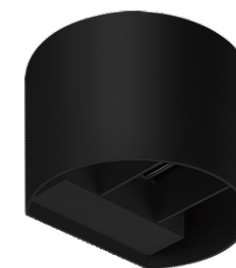
Technology Data-LED VERSION

- ⊗ LED Lamp
- ⊗ Body in Alum.
- ⊗ Diffuser in Clear Glass.

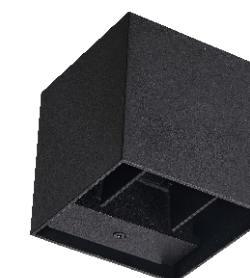
3000K-4000K-6000K



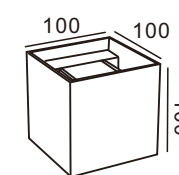
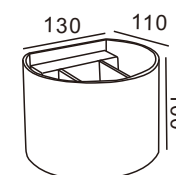
select CCT
via. Dip Switch



HR60431-LED
HR60431-G9



HR60432-LED
HR60432-G9



Item.No.	Watts	3000K	4000K	6000K	CRI	Input	Safety type
HR60431-LED	2X3W	300lm	300lm	300lm	80	220-240V~50Hz	IP65 CLASS II
HR60432-LED	2X3W	300lm	300lm	300lm	80	220-240V~50Hz	IP65 CLASS II
Item.No.	Watts	Light Source		Input	Safety type		
HR60431-G9	Max.4W	G9 bulbs		220-240V~50Hz	IP65 CLASS II		
HR60432-G9	Max.4W	G9 bulbs		220-240V~50Hz	IP65 CLASS II		

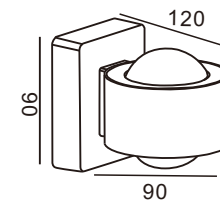


Technology Data

- ⊗ LED Lamp
- ⊗ Body in Alum.
- ⊗ Diffuser in Clear Glass.



HR60471



Item.No.	Watts	Lumens	Kelvin	CRI	Input	Safety type
HR60471	2X3W	380lm	3000K	80	220-240V~50Hz	IP44 CLASS I



Technology Data

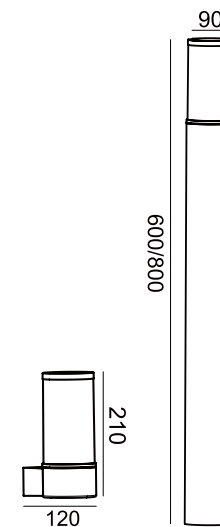
- ⊗ LED Lamp
- ⊗ Body in Alum.
- ⊗ Diffuser in Clear PC.



HR60731



HR60733-600
HR60733-800



Item.No.	Watts	Lumens	Kelvin	CRI	Input	Safety type
HR60731	8W	420lm	3000K	80	220-240V~50Hz	IP54 CLASS I
HR60733-600	8W	420lm	3000K	80	220-240V~50Hz	IP54 CLASS I
HR60733-800	8W	420lm	3000K	80	220-240V~50Hz	IP54 CLASS I



Technology Data

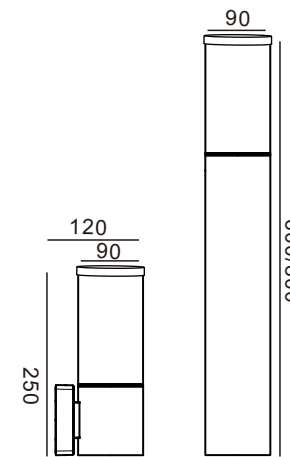
- ⊗ E27 bulbs Max.28W
- ⊗ Body in Alum.
- ⊗ Diffuser in Clear PC.



HR60101



HR60101-600
HR60101-800



Item.No.	Watts	Light Source	Input	Safety type
HR60101	Max.28W	E27 bulbs	220-240V~50Hz	IP54 CLASS I
HR60101-600	Max.28W	E27 bulbs	220-240V~50Hz	IP54 CLASS I
HR60101-800	Max.28W	E27 bulbs	220-240V~50Hz	IP54 CLASS I

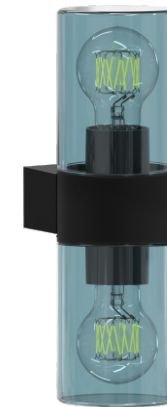


Technology Data

- ⊗ E27 bulbs Max.28W
- ⊗ Body in Alum.
- ⊗ Diffuser in Smoky Glass.



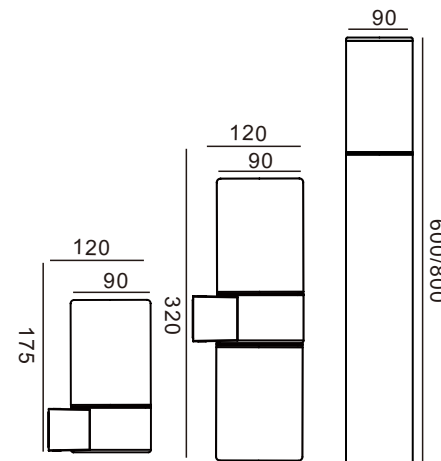
HR60463



HR60464



HR60465-600
HR60465-800



Item.No.	Watts	Light Source	Input	Safety type
HR60463	Max.28W	E27 bulbs	220-240V~50Hz	IP54 CLASS I
Hr60464	Max.2X28W	E27 bulbs	220-240V~50Hz	IP54 CLASS I
HR60465-600	Max.28W	E27 bulbs	220-240V~50Hz	IP54 CLASS I
HR60465-800	Max.28W	E27 bulbs	220-240V~50Hz	IP54 CLASS I



Technology Data

- ⊗ E27 bulbs Max.28W
- ⊗ Body in Alum.
- ⊗ Diffuser in Clear Glass.



HR60112



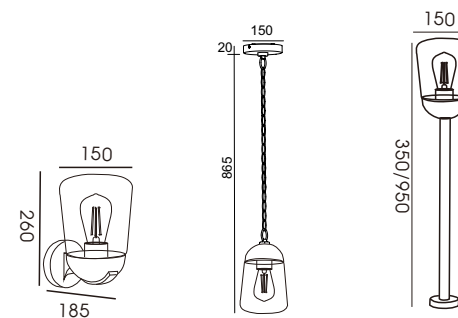
HR60112-S



HR60114



HR60112-350
HR60112-950



Item.No.	Watts	Light Source	Input	Safety type
HR60112	Max.28W	E27 bulbs	220-240V~50Hz	IP54 CLASS I
HR60112-S	Max.28W	E27 bulbs	220-240V~50Hz	IP54 CLASS I
HR60112-350	Max.28W	E27 bulbs	220-240V~50Hz	IP54 CLASS I
HR60112-950	Max.28W	E27 bulbs	220-240V~50Hz	IP54 CLASS I
HR60114	Max.28W	E27 bulbs	220-240V~50Hz	IP54 CLASS I



Technology Data

- ⊗ E27 bulbs Max.28W
- ⊗ Body in Alum.
- ⊗ Diffuser in Clear Glass.



HR60111



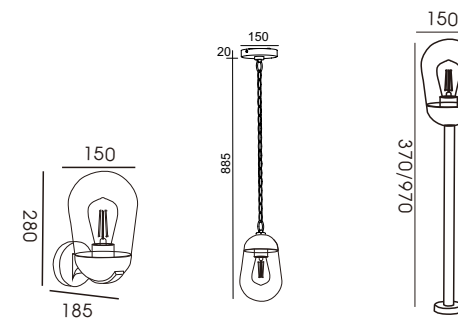
PIR Motion
Sensor
HR60111-S



HR60113



HR60111-370
HR60111-970



Item.No.	Watts	Light Source	Input	Safety type
HR60111	Max.28W	E27 bulbs	220-240V~50Hz	IP54 CLASS I
HR60111-S	Max.28W	E27 bulbs	220-240V~50Hz	IP54 CLASS I
HR60111-370	Max.28W	E27 bulbs	220-240V~50Hz	IP54 CLASS I
HR60111-970	Max.28W	E27 bulbs	220-240V~50Hz	IP54 CLASS I
HR60113	Max.28W	E27 bulbs	220-240V~50Hz	IP54 CLASS I



Technology Data

- ⊗ E27 bulbs Max.28W
- ⊗ Body in Alum.
- ⊗ Diffuser in Clear Glass.



HR60671



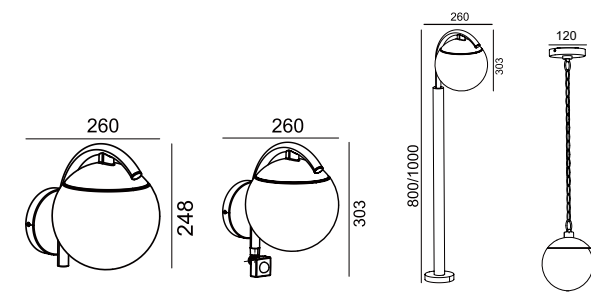
PIR Motion Sensor
HR60671-S



HR60675



HR60691-800



Item.No.	Watts	Light Source	Input	Safety type
HR60671	Max.28W	E27 bulbs	220-240V~50Hz	IP54 CLASS I
HR60671-S	Max.28W	E27 bulbs	220-240V~50Hz	IP54 CLASS I
HR60675	Max.28W	E27 bulbs	220-240V~50Hz	IP54 CLASS I
HR60691-800	Max.28W	E27 bulbs	220-240V~50Hz	IP54 CLASS I



Technology Data

- ⊗ E27 bulbs Max.28W
- ⊗ Body in Alum.
- ⊗ Diffuser in Clear Glass.



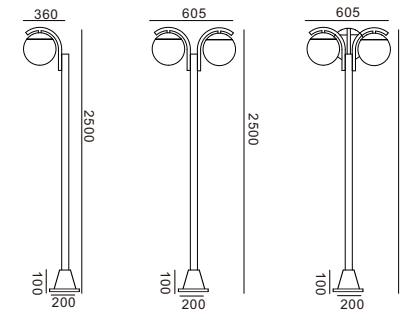
HR60692



HR60693



HR60694



Item.No.	Watts	Light Source	Input	Safety type
HR60692	Max.28W	E27 bulbs	220-240V~50Hz	IP54 CLASS I
HR60693	Max.28W	E27 bulbs	220-240V~50Hz	IP54 CLASS I
HR60694	Max.28W	E27 bulbs	220-240V~50Hz	IP54 CLASS I



Technology Data

- ⊗ E27 bulbs Max.28W
- ⊗ Body in Alum.
- ⊗ Diffuser in Clear Glass.



HR60673



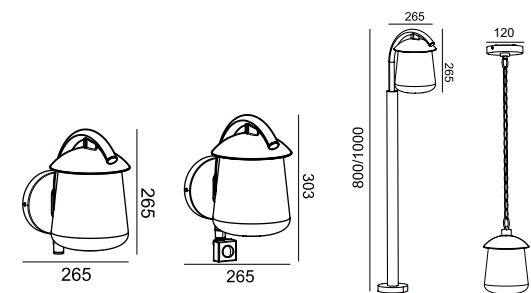
PIR Motion Sensor
HR60673-S



HR60676



HR60701-800



Item.No.	Watts	Light Source	Input	Safety type
HR60673	Max.28W	E27 bulbs	220-240V~50Hz	IP54 CLASS I
HR60673-S	Max.28W	E27 bulbs	220-240V~50Hz	IP54 CLASS I
HR60676	Max.28W	E27 bulbs	220-240V~50Hz	IP54 CLASS I
HR60701-800	Max.28W	E27 bulbs	220-240V~50Hz	IP54 CLASS I



Technology Data

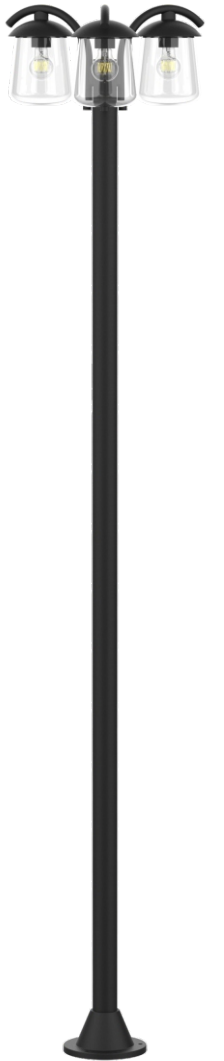
- ⊗ E27 bulbs Max.28W
- ⊗ Body in Alum.
- ⊗ Diffuser in Clear Glass.



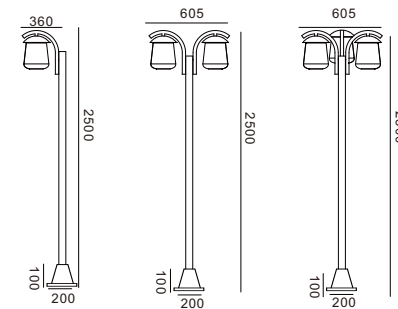
HR60702



HR60703



HR60704



Item.No.	Watts	Light Source	Input	Safety type
HR60702	Max.28W	E27 bulbs	220-240V~50Hz	IP54 CLASS I
HR60703	Max.28W	E27 bulbs	220-240V~50Hz	IP54 CLASS I
HR60704	Max.28W	E27 bulbs	220-240V~50Hz	IP54 CLASS I

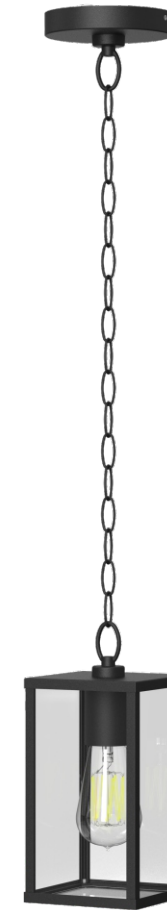


Technology Data

- ⊗ E27 bulbs Max.28W
- ⊗ Body in Iron+Alum.
- ⊗ Diffuser in Clear Glass.



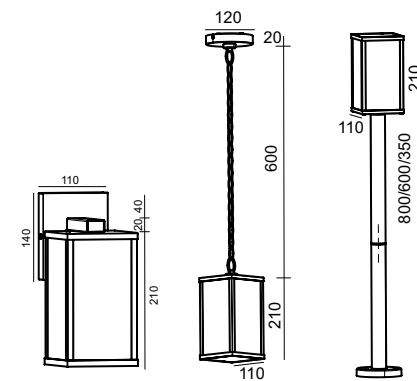
HR60722
HR60722-S



HR60722-830



HR60722-350
HR60722-600
HR60722-800



Item.No.	Watts	Light Source	Input	Safety type
HR60722	Max.28W	E27 bulbs	220-240V~50Hz	IP54 CLASS I
HR60722-S	Max.28W	E27 bulbs	220-240V~50Hz	IP54 CLASS I
HR60722-350	Max.28W	E27 bulbs	220-240V~50Hz	IP54 CLASS I
HR60722-600	Max.28W	E27 bulbs	220-240V~50Hz	IP54 CLASS I
HR60722-800	Max.28W	E27 bulbs	220-240V~50Hz	IP54 CLASS I
HR60722-830	Max.28W	E27 bulbs	220-240V~50Hz	IP54 CLASS I



Technology Data

- ⊗ E27 bulbs Max.28W
- ⊗ Body in Alum.
- ⊗ Diffuser in Clear Glass.



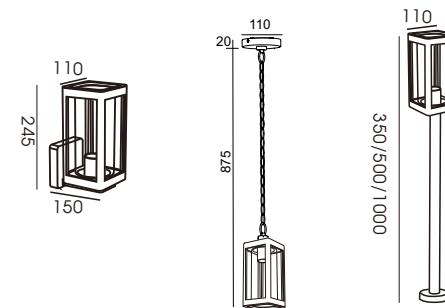
HR60122



HR60123-870



HR60122-350
HR60122-600
HR60122-800



Item.No.	Watts	Light Source	Input	Safety type
HR60122	Max.28W	E27 bulbs	220-240V~50Hz	IP54 CLASS I
HR60122-350	Max.28W	E27 bulbs	220-240V~50Hz	IP54 CLASS I
HR60122-600	Max.28W	E27 bulbs	220-240V~50Hz	IP54 CLASS I
HR60122-800	Max.28W	E27 bulbs	220-240V~50Hz	IP54 CLASS I
HR60123-870	Max.28W	E27 bulbs	220-240V~50Hz	IP54 CLASS I



Technology Data

- ⊗ E27 bulbs Max.28W
- ⊗ Body in Matel.
- ⊗ Diffuser in Clear Glass.



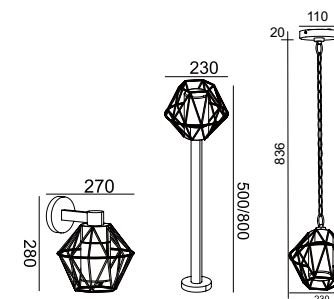
HR60501



HR60502-836



HR60501-500
HR60501-800



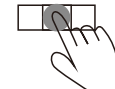
Item.No.	Watts	Light Source	Input	Safety type
HR60501	Max.28W	E27 bulbs	220-240V~50Hz	IP54 CLASS I
HR60501-500	Max.28W	E27 bulbs	220-240V~50Hz	IP54 CLASS I
HR60501-800	Max.28W	E27 bulbs	220-240V~50Hz	IP54 CLASS I
HR60502-836	Max.28W	E27 bulbs	220-240V~50Hz	IP54 CLASS I



Technology Data

- ⊗ LED Lamp
- ⊗ Body in Alum.
- ⊗ Diffuser in Opaline PC.

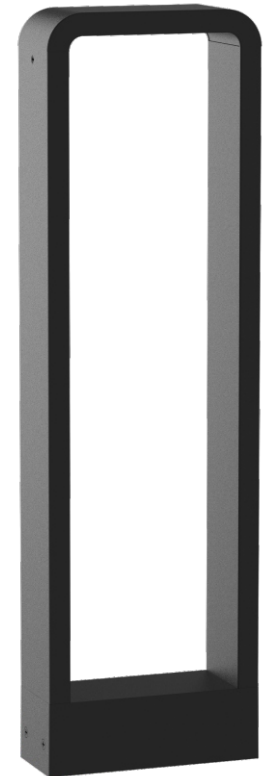
3000K-4000K-6000K



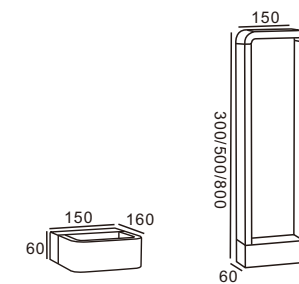
select CCT
via Dip Switch



HR60071



HR60071-300
HR60071-500
HR60071-800



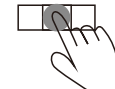
Item.No.	Watts	3000K	4000K	6000K	CRI	Input	Safety type
HR60071	7W	300lm	320lm	310lm	80	220-240V~50Hz	IP54 CLASS I
HR60071-300	7W	400lm	420lm	410lm	80	220-240V~50Hz	IP54 CLASS I
HR60071-500	7W	400lm	420lm	410lm	80	220-240V~50Hz	IP54 CLASS I
HR60071-800	7W	400lm	420lm	410lm	80	220-240V~50Hz	IP54 CLASS I



Technology Data

- ⊗ LED Lamp
- ⊗ Body in Alum.
- ⊗ Diffuser in Opaline PC.

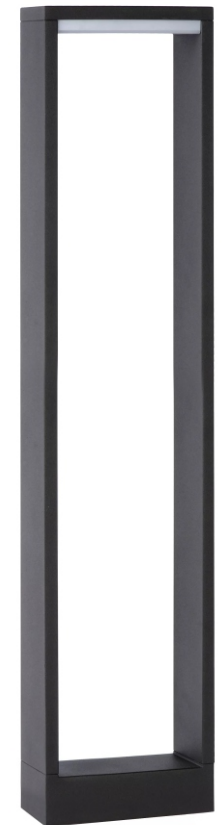
3000K-4000K-6000K



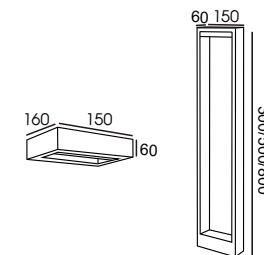
select CCT
via Dip Switch



HR60072



HR60072-300
HR60072-500
HR60072-800

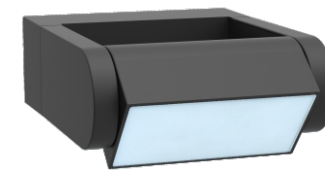


Item.No.	Watts	3000K	4000K	6000K	CRI	Input	Safety type
HR60072	7W	330lm	350lm	340lm	80	220-240V~50Hz	IP54 CLASS I
HR60072-300	7W	430lm	450lm	440lm	80	220-240V~50Hz	IP54 CLASS I
HR60072-500	7W	430lm	450lm	440lm	80	220-240V~50Hz	IP54 CLASS I
HR60072-800	7W	430lm	450lm	440lm	80	220-240V~50Hz	IP54 CLASS I



Technology Data

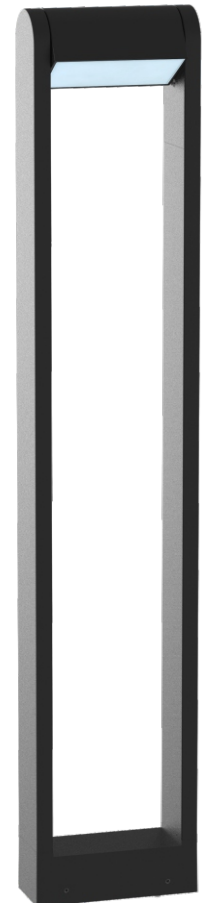
- ⊗ LED Lamp
- ⊗ Body in Alum.
- ⊗ Diffuser in Opaline PC.



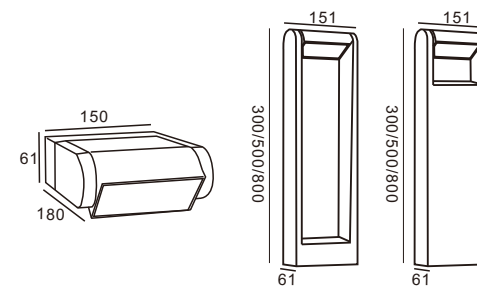
HR60441



HR60441-2-300
HR60441-2-500
HR60441-2-800



HR60441-300
HR60441-500
HR60441-800



Item.No.	Watts	Lumens	Kelvin	CRI	Input	Safety type
HR60441	7W	400lm	3000K	80	220-240V~50Hz	IP54 CLASS I
HR60441-300	7W	400lm	3000K	80	220-240V~50Hz	IP54 CLASS I
HR60441-500	7W	400lm	3000K	80	220-240V~50Hz	IP54 CLASS I
HR60441-800	7W	400lm	3000K	80	220-240V~50Hz	IP54 CLASS I

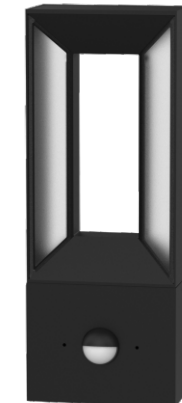


Technology Data

- ⊗ LED Lamp
- ⊗ Body in Alum.
- ⊗ Diffuser in Opaline PC.



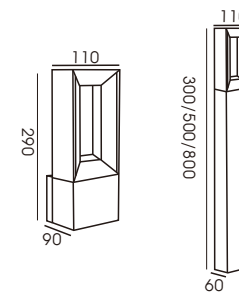
HR60092



PIR Motion Sensor
HR60092-S



HR60092-300
HR60092-500
HR60092-800



Item.No.	Watts	Lumens	Kelvin	CRI	Input	Safety type
HR60092	2X5W	250lm	3000K	80	220-240V~50Hz	IP54 CLASS I
HR60092-S	2X5W	250lm	3000K	80	220-240V~50Hz	IP54 CLASS I
HR60092-300	2X5W	250lm	3000K	80	220-240V~50Hz	IP54 CLASS I
HR60092-500	2X5W	250lm	3000K	80	220-240V~50Hz	IP54 CLASS I
HR60092-800	2X5W	250lm	3000K	80	220-240V~50Hz	IP54 CLASS I



Technology Data

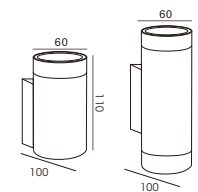
- ⊗ GU10 bulbs Max.7W
- ⊗ Body in Alum.
- ⊗ Diffuser in Clear Glass.



HR60253



HR60254



Item.No.	Watts	Light Source	Input	Safety type
HR60253	Max.7W	Gu10 bulbs	220-240V~50Hz	IP54 CLASS I
HR60254	Max.7W	Gu10 bulbs	220-240V~50Hz	IP54 CLASS I



Technology Data

- ⊗ GU10 bulbs Max.7W
- ⊗ Body in Alum.
- ⊗ Diffuser in Clear Glass.



HR60273



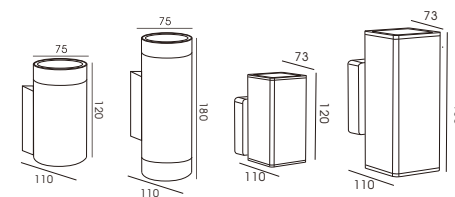
HR60274



HR60335



HR60336



Item.No.	Watts	Light Source	Input	Safety type
HR60273	Max.7W	Gu10 bulbs	220-240V~50Hz	IP54 CLASS I
HR60274	Max.7W	Gu10 bulbs	220-240V~50Hz	IP54 CLASS I
HR60335	Max.7W	Gu10 bulbs	220-240V~50Hz	IP54 CLASS I
HR60336	Max.7W	Gu10 bulbs	220-240V~50Hz	IP54 CLASS I



Technology Data

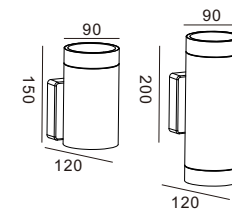
- ⊗ GU10 bulbs Max.7W
- ⊗ Body in Alum.
- ⊗ Diffuser in Clear Glass.



HR60293



HR60294



Item.No.	Watts	Light Source	Input	Safety type
HR60293	Max.7W	Gu10 bulbs	220-240V~50Hz	IP54 CLASS I
HR60294	Max.7W	Gu10 bulbs	220-240V~50Hz	IP54 CLASS I



Technology Data

- ⊗ GU10 bulbs Max.7W
- ⊗ Body in Alum.
- ⊗ Diffuser in Opaline PC.



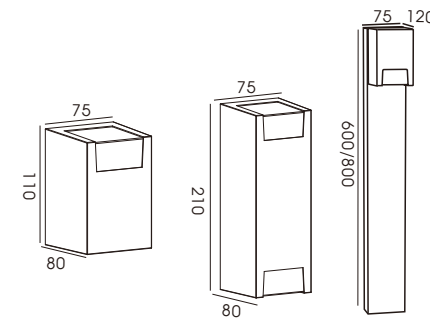
HR60231



HR60232



HR60231-600
HR60231-800



Item.No.	Watts	Light Source	Input	Safety type
HR60231	Max.7W	Gu10 bulbs	220-240V~50Hz	IP44 CLASS II
HR60232	Max.7W	Gu10 bulbs	220-240V~50Hz	IP44 CLASS II
HR60231-600	Max.7W	Gu10 bulbs	220-240V~50Hz	IP44 CLASS I
HR60231-800	Max.7W	Gu10 bulbs	220-240V~50Hz	IP44 CLASS I



Technology Data

- ⊗ GU10 bulbs Max.7W
- ⊗ Body in Alum.
- ⊗ Diffuser in Opaline PC.



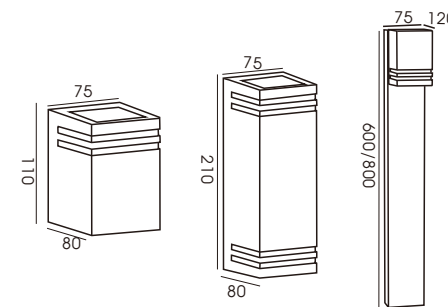
HR60237



HR60238



HR60237-600
HR60237-800



Item.No.	Watts	Light Source	Input	Safety type
HR60237	Max.7W	Gu10 bulbs	220-240V~50Hz	IP44 CLASS II
HR60238	Max.7W	Gu10 bulbs	220-240V~50Hz	IP44 CLASS II
HR60237-600	Max.7W	Gu10 bulbs	220-240V~50Hz	IP44 CLASS I
HR60237-800	Max.7W	Gu10 bulbs	220-240V~50Hz	IP44 CLASS I



Technology Data

- ⊗ GU10 bulbs Max.7W
- ⊗ Body in Alum.
- ⊗ Diffuser in Clear PC.



HR60171



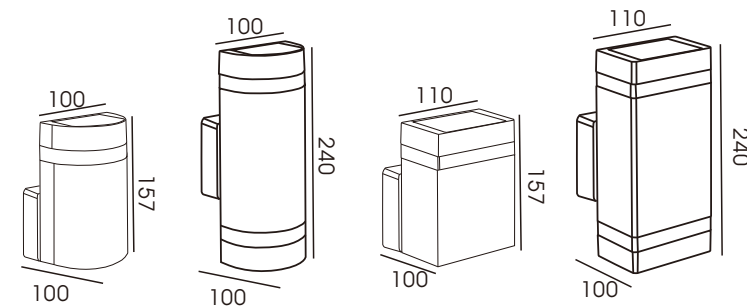
HR60173



HR60172



HR60174



Item.No.	Watts	Light Source	Input	Safety type
HR60171	Max.7W	Gu10 bulbs	220-240V~50Hz	IP54 CLASS I
HR60172	Max.7W	Gu10 bulbs	220-240V~50Hz	IP54 CLASS I
HR60173	Max.7W	Gu10 bulbs	220-240V~50Hz	IP54 CLASS I
HR60174	Max.7W	Gu10 bulbs	220-240V~50Hz	IP54 CLASS I



Technology Data

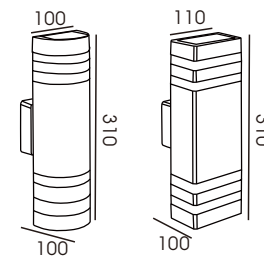
- ⊗ GU10 bulbs Max.7W
- ⊗ Body in Alum.
- ⊗ Diffuser in Clear PC.



HR60176



HR60178



Item.No.	Watts	Light Source	Input	Safety type
HR60176	Max.7W	Gu10 bulbs	220-240V~50Hz	IP54 CLASS I
HR60178	Max.7W	Gu10 bulbs	220-240V~50Hz	IP54 CLASS I



Technology Data

- ⊗ E27 bulbs Max.28W
- ⊗ Body in Alum.
- ⊗ Diffuser in Clear PC.



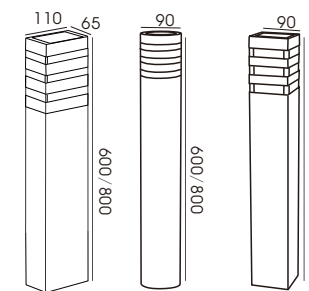
HR60064-600
HR60064-800



HR60063-600
HR60063-800



HR60062-600
HR60062-800



Item.No.	Watts	Light Source	Input	Safety type
HR60062-600	Max.28W	E27 bulbs	220-240V~50Hz	IP54 CLASS I
HR60062-800	Max.28W	E27 bulbs	220-240V~50Hz	IP54 CLASS I
HR60063-600	Max.28W	E27 bulbs	220-240V~50Hz	IP54 CLASS I
HR60063-800	Max.28W	E27 bulbs	220-240V~50Hz	IP54 CLASS I
HR60064-600	Max.28W	E27 bulbs	220-240V~50Hz	IP54 CLASS I
HR60064-800	Max.28W	E27 bulbs	220-240V~50Hz	IP54 CLASS I



Technology Data-GX53 VERSION

- ⊗ GX53 Bulbs Max.11W
- ⊗ Body in Alum.
- ⊗ Diffuser in Opaline PC.

Technology Data-LED VERSION

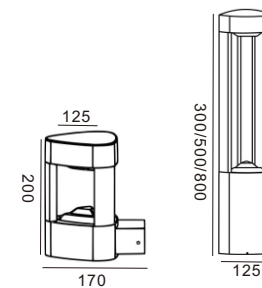
- ⊗ LED Lamp
- ⊗ Body in Alum.
- ⊗ Diffuser in Opaline PC.



HR60031-LED
HR60031-GX53



HR60031-300
HR60031-500
HR60031-800



Item.No.	Watts	Light Source	Input	Safety type
HR60031-GX53 HR60031-GX53 -300/500/800	Max.11W Max.11W	GX53 bulbs Gx53 bulbs	220-240V~50Hz 220-240V~50Hz	IP54 CLASS I IP54 CLASS I

Item.No.	Watts	Lumens	Kelvin	CRI	Input	Safety type
HR60031-LED HR60031-LED -300/500/800	7W 7W	180lm 180lm	3000K 3000K	80 80	220-240V~50Hz 220-240V~50Hz	IP54 CLASS I IP54 CLASS I

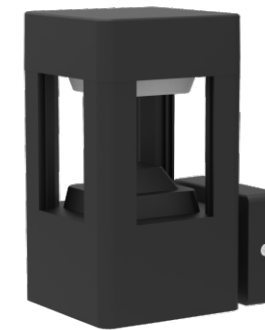


Technology Data-GX53 VERSION

- ⊗ GX53 Bulbs Max.11W
- ⊗ Body in Alum.
- ⊗ Diffuser in Opaline PC.

Technology Data-LED VERSION

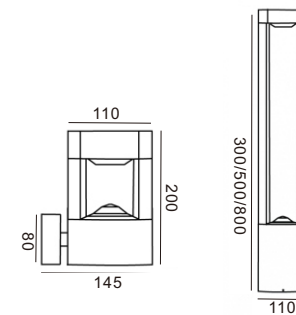
- ⊗ LED Lamp
- ⊗ Body in Alum.
- ⊗ Diffuser in Opaline PC.



HR60032-LED
HR60032-GX53



HR60032-300
HR60032-500
HR60032-800



Item.No.	Watts	Light Source	Input	Safety type
HR60032-GX53 HR60032-GX53 -300/500/800	Max.11W Max.11W	GX53 bulbs Gx53 bulbs	220-240V~50Hz 220-240V~50Hz	IP54 CLASS I IP54 CLASS I

Item.No.	Watts	Lumens	Kelvin	CRI	Input	Safety type
HR60032-LED HR60032-LED -300/500/800	7W 7W	180lm 180lm	3000K 3000K	80 80	220-240V~50Hz 220-240V~50Hz	IP54 CLASS I IP54 CLASS I

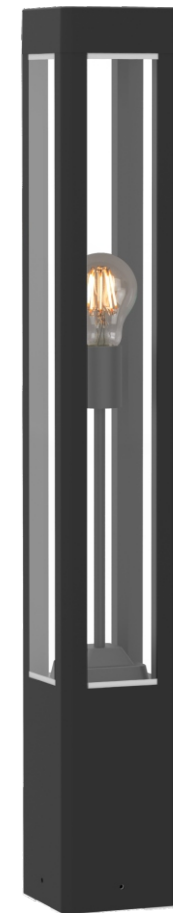


Technology Data

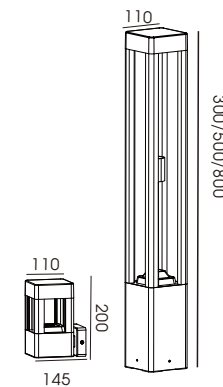
- ⊗ E27 bulbs Max.28W
- ⊗ Body in Alum.
- ⊗ Diffuser in Clear Glass.



HR60041



HR60041-300
HR60041-500
HR60041-800



Item.No.	Watts	Light Source	Input	Safety type
HR60041	Max.28W	E27 bulbs	220-240V~50Hz	IP54 CLASS I
HR60041-300	Max.28W	E27 bulbs	220-240V~50Hz	IP54 CLASS I
HR60041-500	Max.28W	E27 bulbs	220-240V~50Hz	IP54 CLASS I
HR60041-800	Max.28W	E27 bulbs	220-240V~50Hz	IP54 CLASS I



Technology Data

- ⊗ E27 bulbs Max.28W
- ⊗ Body in Alum.
- ⊗ Diffuser in Opaline PC.



HR60531



HR60533



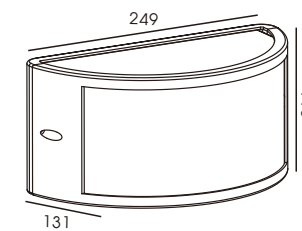
HR60532



HR60534



HR60535



Item.No.	Watts	Light Source	Input	Safety type
HR60531	Max.28W	E27 bulbs	220-240V~50Hz	IP54 CLASS I
HR60532	Max.28W	E27 bulbs	220-240V~50Hz	IP54 CLASS I
HR60533	Max.28W	E27 bulbs	220-240V~50Hz	IP54 CLASS I
HR60534	Max.28W	E27 bulbs	220-240V~50Hz	IP54 CLASS I
HR60535	Max.28W	E27 bulbs	220-240V~50Hz	IP54 CLASS I